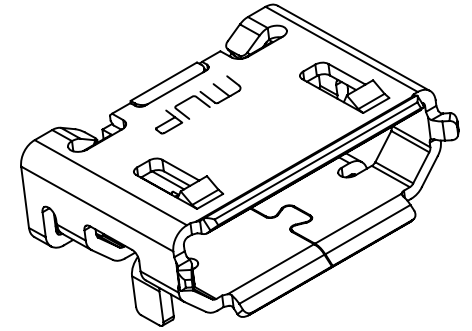
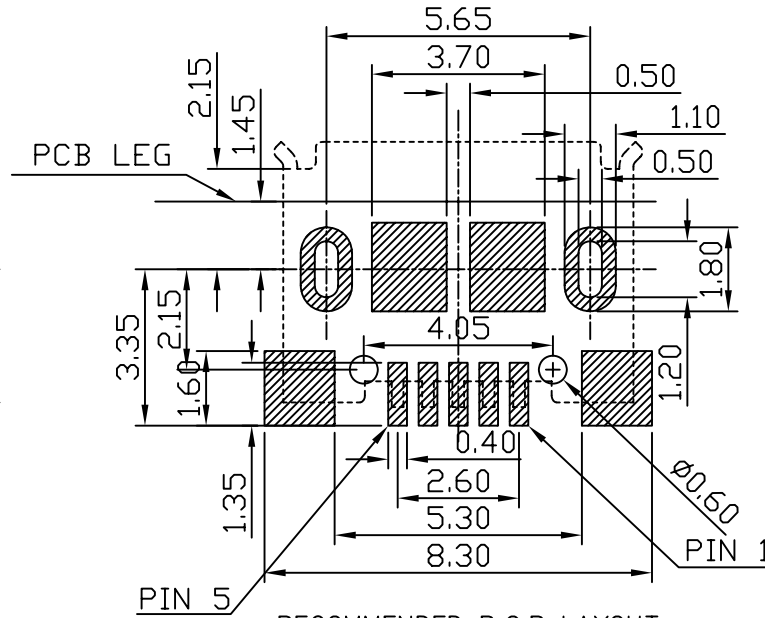
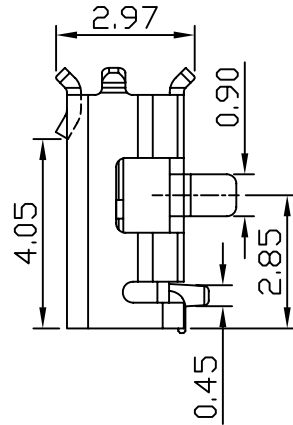
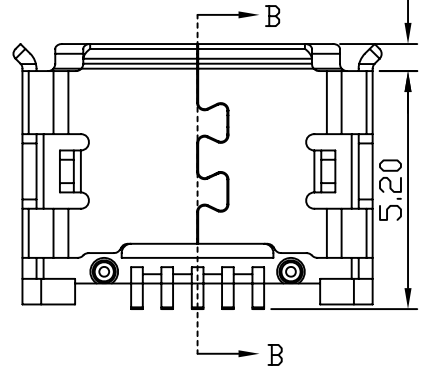
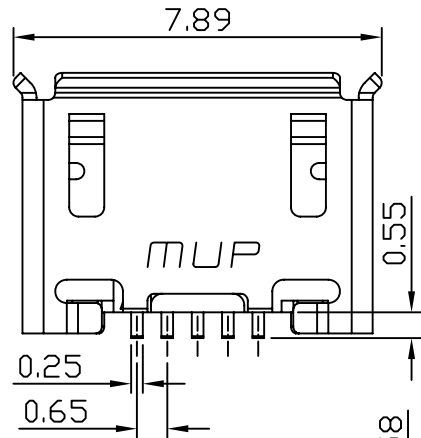
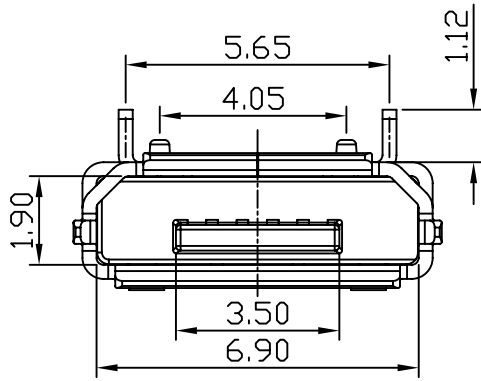


| REV. | DESCRIPTION OF REVISIONS | APPR. | DRAW. | RELEASE | DATE |
|------|--------------------------|-------|-------|---------|------------|
| X2 | Design modify | | Jimmy | | 2015.03.04 |
| X3 | | | | | |



RECOMMENDED P.C.B LAYOUT
COMPONENT SIDE(TOLERANCE ± 0.05)

TECHNICAL CHARACTERISTICS

1.General Characteristics

Dimensions:7.89LX5.55WX2.97H mm

Weight:Approx ± 0.1 g

Durability:5,000 cycles min.

2.Electrical Characteristics

Contact resistance:50m Ω max

Insulation resistance:>1000M Ω /250V DC

3.Solderability

Vaporphase:215 $^{\circ}$ C $\pm 5^{\circ}$ C,30sec.Max

IR reflow:250 $^{\circ}$ C,5sec.Max

Manual soldering:370 $^{\circ}$ C,3sec.Max

4.Environmental Characteristics

Operating temperature:-40 $^{\circ}$ C~+85 $^{\circ}$ C

Operating humidity:10%~+95%RH

| ITEM | PART NAME | Q'TY | MATERIAL | FINISH |
|------|--------------|------|-----------------|---|
| 1 | BASE | 1 | LCP 30%GF | Black UL94V-0 |
| 2 | SHELL | 1 | Stainless steel | Δ Solderability Ni plated over all |
| 3 | DATA CONTACT | 5 | Copper Alloy | Contact area:Gold plated |

Unless otherwise specified, other tolerance are:

MUP[®] MUP INDUSTRIAL CO.,LTD.

| | | | |
|-------|------------|--------|-----------------|
| X | ± 0.35 | X' | $\pm 5^{\circ}$ |
| X.X | ± 0.25 | X.X' | $\pm 4^{\circ}$ |
| X.XX | ± 0.15 | X.XX' | $\pm 3^{\circ}$ |
| X.XXX | ± 0.10 | X.XXX' | $\pm 2^{\circ}$ |

NAME: **Micro USB Connector**
MODEL NO: **MUP-U513(DIPx2+SMTx2)**
TYPE: **5 pin(with post)**

| PROJ. | UNIT | SCALE |
|-------|------|-------|
| | MM | 1:1 |

| | | | |
|----------|-------------------|----------|------------------|
| DRAWN | Zoey Jun.14.2012 | DWG NO.: | DWG-MUP-U513-001 |
| CHECKED | Jimmy Jun.14.2012 | SHEET | 1/1 |
| APPROVAL | Simon Jun.14.2012 | REVISION | X2 |



CUSTOMER DRAWING